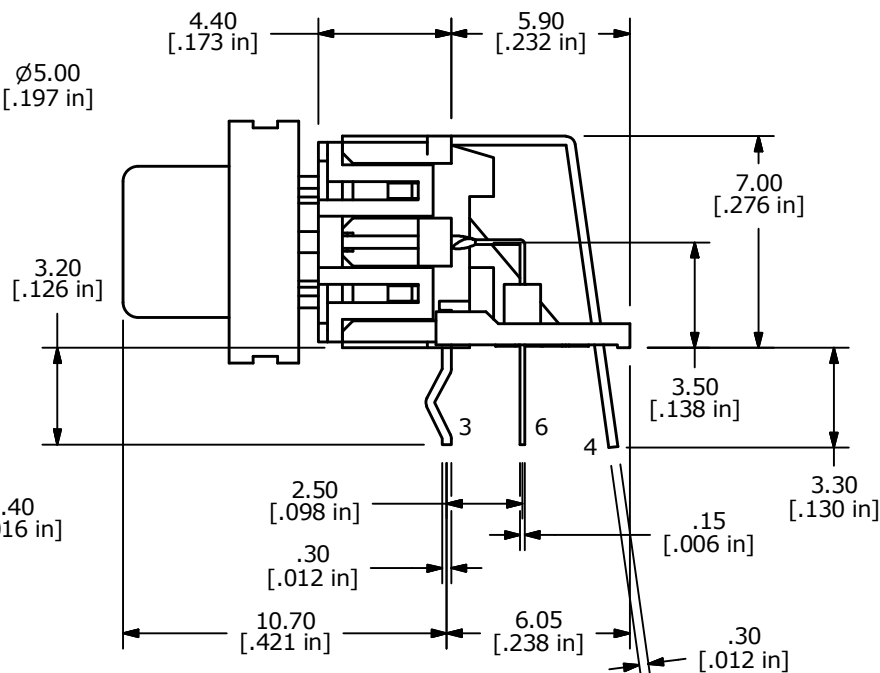
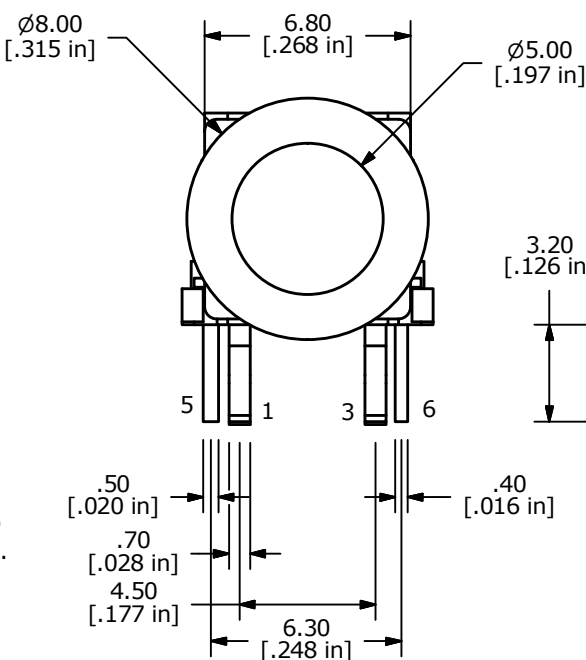
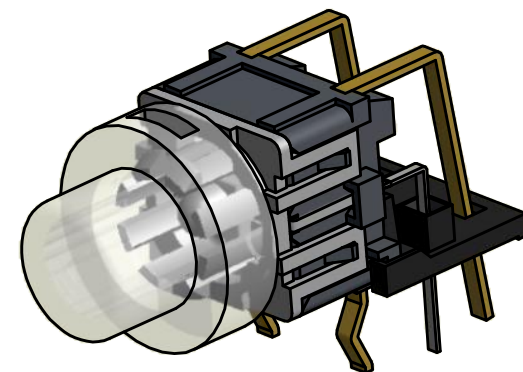
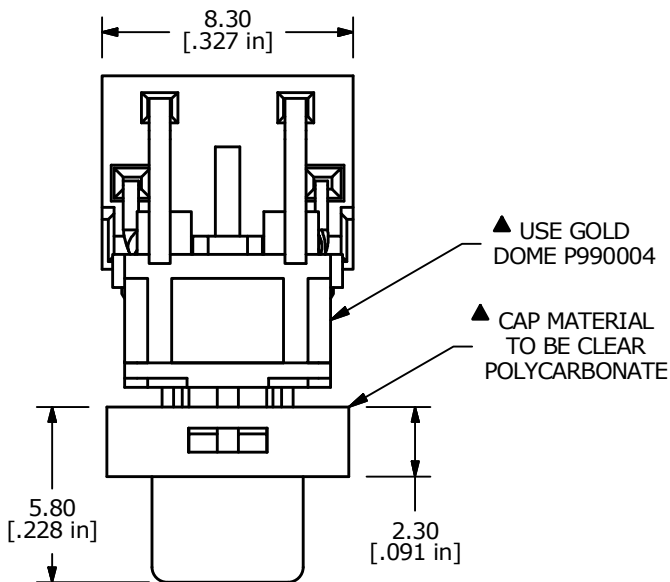


LED SPECS	UNITS	BLUE
FORWARD CURRENT	mA	20
FORWARD VOLTAGE @20mA	V	3.65-4.2
LUMINOUS INTENSITY @ 20mA	mcd	250

- NOTES:
- ALL DIMENSIONS IN MM [INCH]
 - GENERAL TOLERANCE: X.X=±0.4
X.XX=±0.25
 - RATING: 12VDC @ 50mA
 - CONTACT RESISTANCE: 100mΩ MAX.
 - INSULATION RESISTANCE: 100MΩ MIN.
 - OPERATING FORCE: 280 ± 70gf
 - TRAVEL: 0.2± 0.1mm
 - OPERATING TEMPERATURE: -20°C TO 70°C
 - OPERATING LIFE: 50,000 CYCLES

- LED: BLUE
- GOLD CONTACTS:
TERMINALS, 20 MICRO-INCHES MIN GOLD
MOVING CONTACT, 10 MICRO INCHES MIN GOLD.
- ▲ DENOTES CRITICAL PARAMETERS
- 2011/65/EU (ROHS) COMPLIANT
- PARTS TO BE PACKAGED IN TRAYS,
100 PIECES PER TRAY.



C	23179	UPDATED NOTE ..TUBES,60 TO TRAYS,100	1/22/18	MJR
B	18714	CHANGE DOME # (WAS P990005 - 160gf)	11/17/09	BLR
REV	PCR NO	DESCRIPTION	DATE	BY

TITLE TL1250F280BRRCLR				
SCALE	DATE	DR	DWG	REV
4:1	11/17/2009	BLR	P010815	C